



⚡ Electrical heat 3-15 kW

14 models

CE

## Elektra - C/F/V/H

### A fan heater for demanding environments

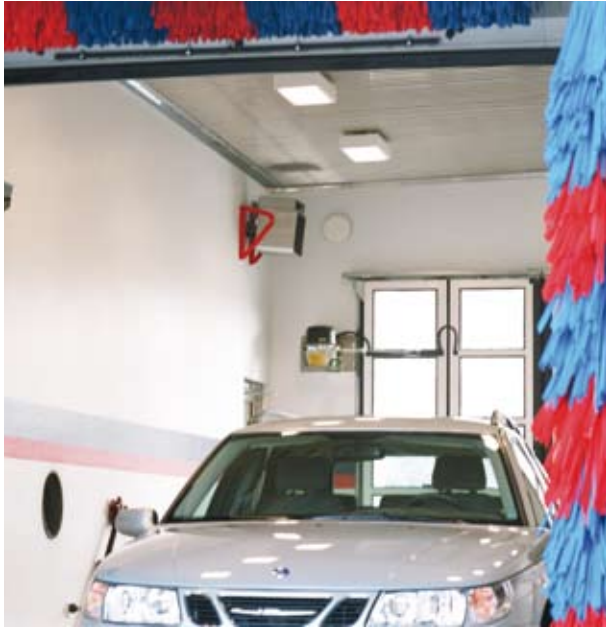
Elektra is a serie of fan heaters for demanding environments. The compact Elektra is manufactured from stainless steel and is primarily intended for fixed installation. The brackets can be angled for portable use if required.

Elektra is available in four versions:

- Elektra C for corrosive environments. For use in humid and aggressive environments e.g. car-wash areas.
- Elektra F for rooms where there is a risk of fire. Special design for use in rooms where there is risk of fire, within the textile and wood industry and in agricultural buildings etc.
- Elektra V is for use on ships and within the offshore industry, withstands vibrations and humidity. Approved by Det Norske Veritas.
- Elektra H for high temperatures. When there is a demand for high temperatures (up to 70°C), Elektra is powerful enough to meet the challenge.

- For fixed installation or portable use.
- Output: 3, 6, 9 and 15 kW.
- Elektra V has reinforced electrical insulation, motor and heating elements have a construction that absorbs vibrations. Also available for 440V/60Hz.
- Casing: stainless steel, Elektra C acid resistant. Grille and bracket: RAL 3020 (red).

## Fan Heater Elektra



Elektra C for corrosive environments. For use in humid and aggressive environments e.g. car-wash areas. IP65.



Elektra F, for rooms where there is a risk of fire. Special design for use in rooms where there is risk of fire, within the textile and wood industry and in agricultural buildings etc.. IP65.



Elektra V for use on ships and within the offshore industry, withstands vibrations and humidity. IP44.



Elektra H for high temperatures. When there is a demand for high temperatures (up to 70°C), Elektra is powerful enough to meet the challenge. IP44.

# Fan Heater Elektra

## Technical specifications | Fan heater Elektra ⚡

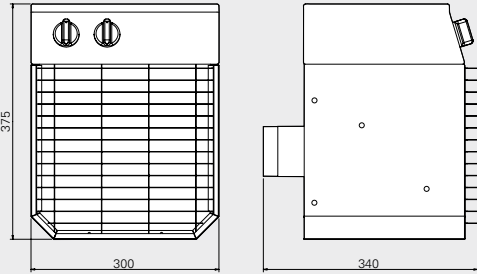
Type	Output steps [kW]	Airflow [m³/h]	Sound level [dB(A)]	Voltage [V]	Amperage [A]	HxWxD [mm]	Weight [kg]
Elektra C. For corrosive environments							
<b>ELC331</b>	0/☼/1,5/3	400	48	230V~	9/13,5	375x300x340	13
<b>ELC633</b>	0/☼/3/6	1000	55	400V3~	4,5/8,9	445x375x430	20
<b>ELC933</b>	0/☼/4,5/9	1000	55	230V3~	6,7/13,2	445x375x430	20
<b>ELC1533</b>	0/☼/7,5/15	1300	63	400V3~	11,2/22	445x375x430	20
Elektra F. For rooms where there is a risk of fire							
<b>ELF331</b>	0/☼/1,5/3	400	48	230V~	7/13,5	375x300x340	13
<b>ELF633</b>	0/☼/3/6	700	53	400V3~	4,8/9,1	375x300x340	13
<b>ELF933</b>	0/☼/4,5/9	1000	55	400V3~	6,7/13,2	445x375x430	20
Elektra V. For use on ships and within the offshore industry							
<b>ELV331</b>	0/☼/2/3	400	48	230V~	9/13,5	375x300x340	13
<b>ELV3333</b>	0/☼/1,5/3	400	48	400V3~	4,2/4,9	375x300x340	13
<b>ELV3344</b>	0/☼/1,8/3,6	400	48	440/440V3~	4,7/5,3	375x300x340	13
<b>ELV5333</b>	0/☼/2,5/5	700	53	400V3~	6,8/7,8	375x300x340	13
<b>ELV6344</b>	0/☼/3/6	700	53	400/440V3~	7,4/8,5	375x300x340	13
Elektra H. For rooms with high temperatures							
<b>ELH633</b>	0/☼/3/6	1000	55	400V3N~	4,5/8,9	445x375x430	20
<b>ELH933</b>	0/☼/4,5/9	1000	55	400V3N~	6,7/13,2	445x375x430	20

Protection class Elektra C/F: IP65, Elektra V/H: IP44.

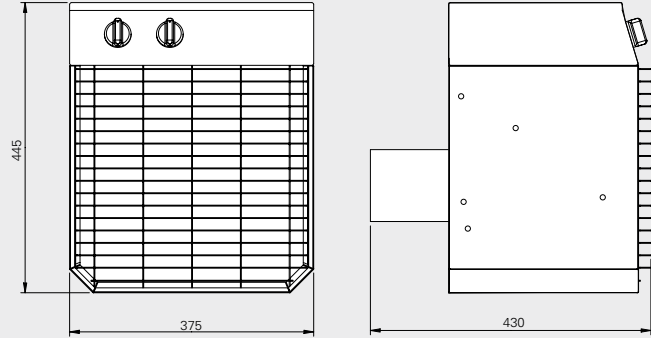
Approved by SEMKO and CE compliant. Elektra V is approved by Det Norske Veritas.

Dimensions

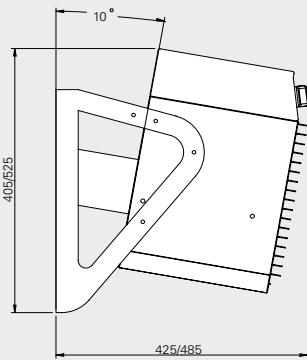
ELC331, ELF331, ELF633, ELV



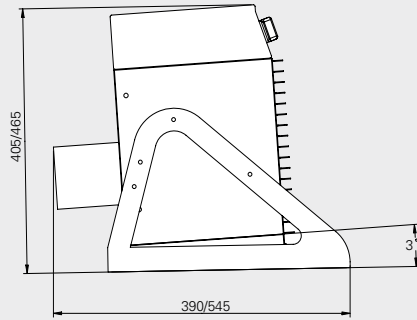
ELC633, ELC933, ELC1533, ELF933, ELH



Fixed installation



Portable use



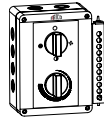
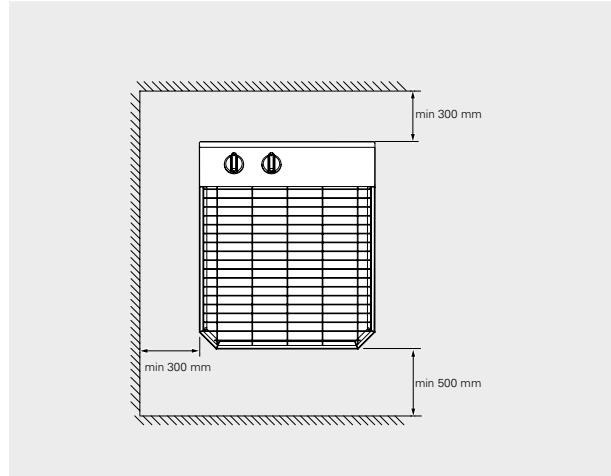
# Fan Heater Elektra

## Mounting

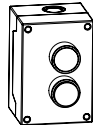
Elektra is primarily intended for wall mounting, but the brackets can be angled for portable use.

The heat output is controlled by the built in thermostat (+5 – +35 °C). Elektra H has a thermostat with setting range 0 – 70 °C.

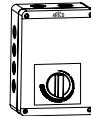
The on/off mode, and half or full heat output can be controlled with the output selector on the unit or with an external control panel mounted on to the wall for easy access.



ELSRT



ELS



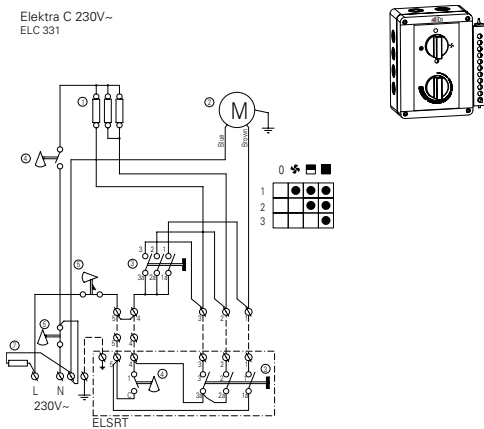
ELRT

## Accessories

Type	Description
ELSRT	Control panel and thermostat, for ELC/ELV, start/stop
ELS	Control panel, for ELF, start/stop
ELRT	Thermostat, for ELH

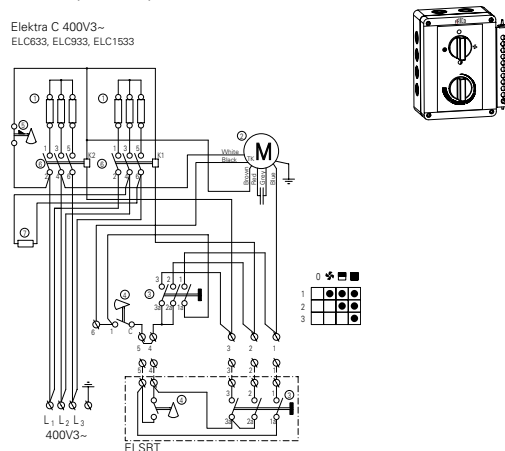
### ELC331

Elektra C 230V~  
ELC 331



### ELC633,ELC933,ELC1533

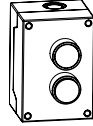
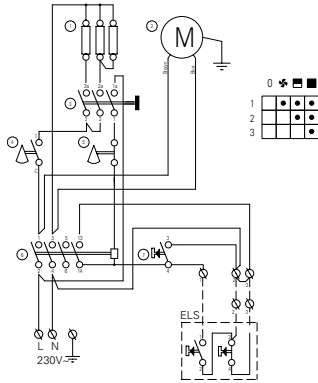
Elektra C 400V3~  
ELC633, ELC933, ELC1533



### Elektra F

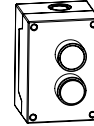
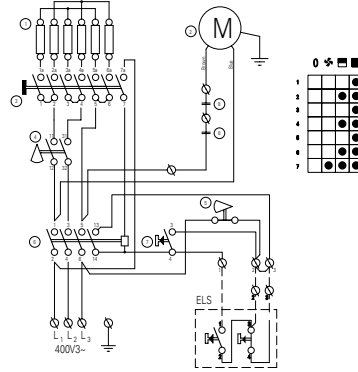
ELF331

Elektra F 230V~  
ELF331



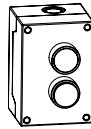
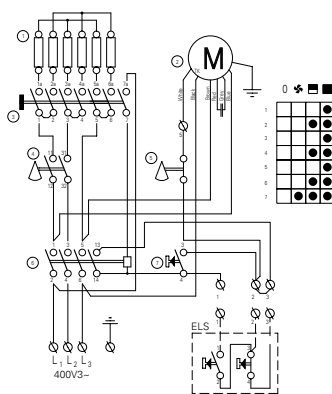
ELF633

Elektra F 400V3~  
ELF633



ELF933

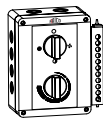
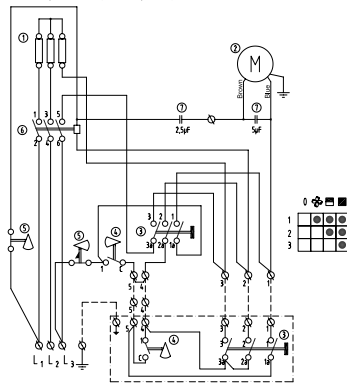
ELF933



### Elektra V

ELV3333, ELV3344, ELV5333, ELV6344

Elektra V  
ELV3333, ELV5333 (400V3~, 50Hz)  
ELV3344, ELV6344 (440V3~, 60Hz)



400V3- 50Hz /  
440V3- 60Hz ELSRT

### Elektra H

ELH633, ELH933

Elektra H 400V3N~  
ELH633, ELH933

